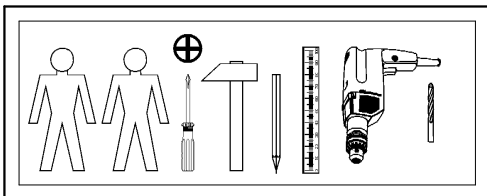
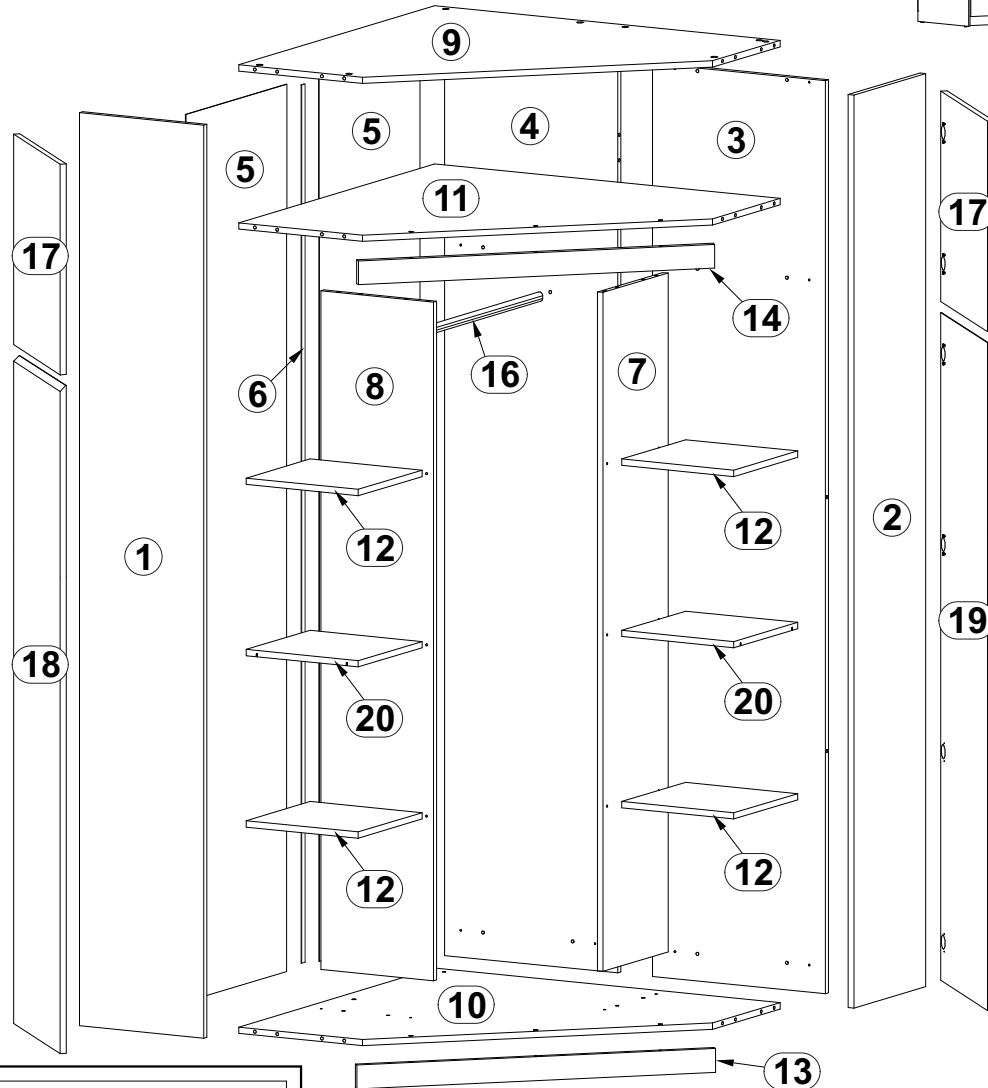
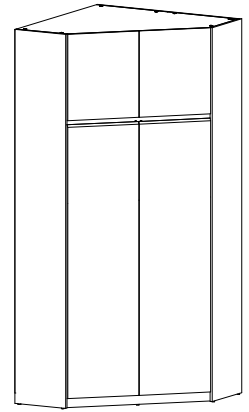


МОДЕН

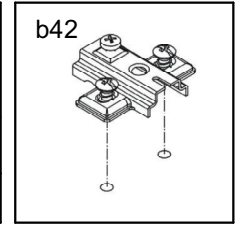
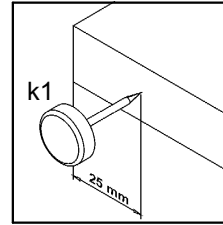
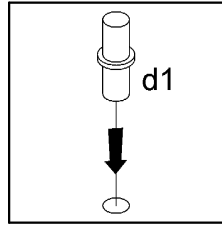
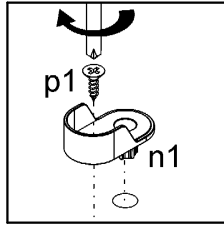
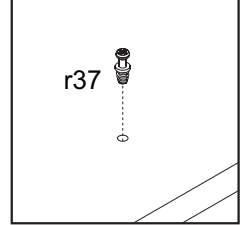
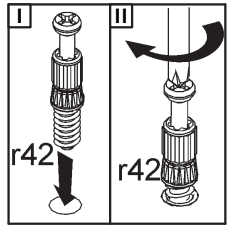
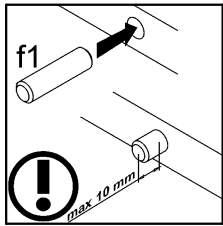
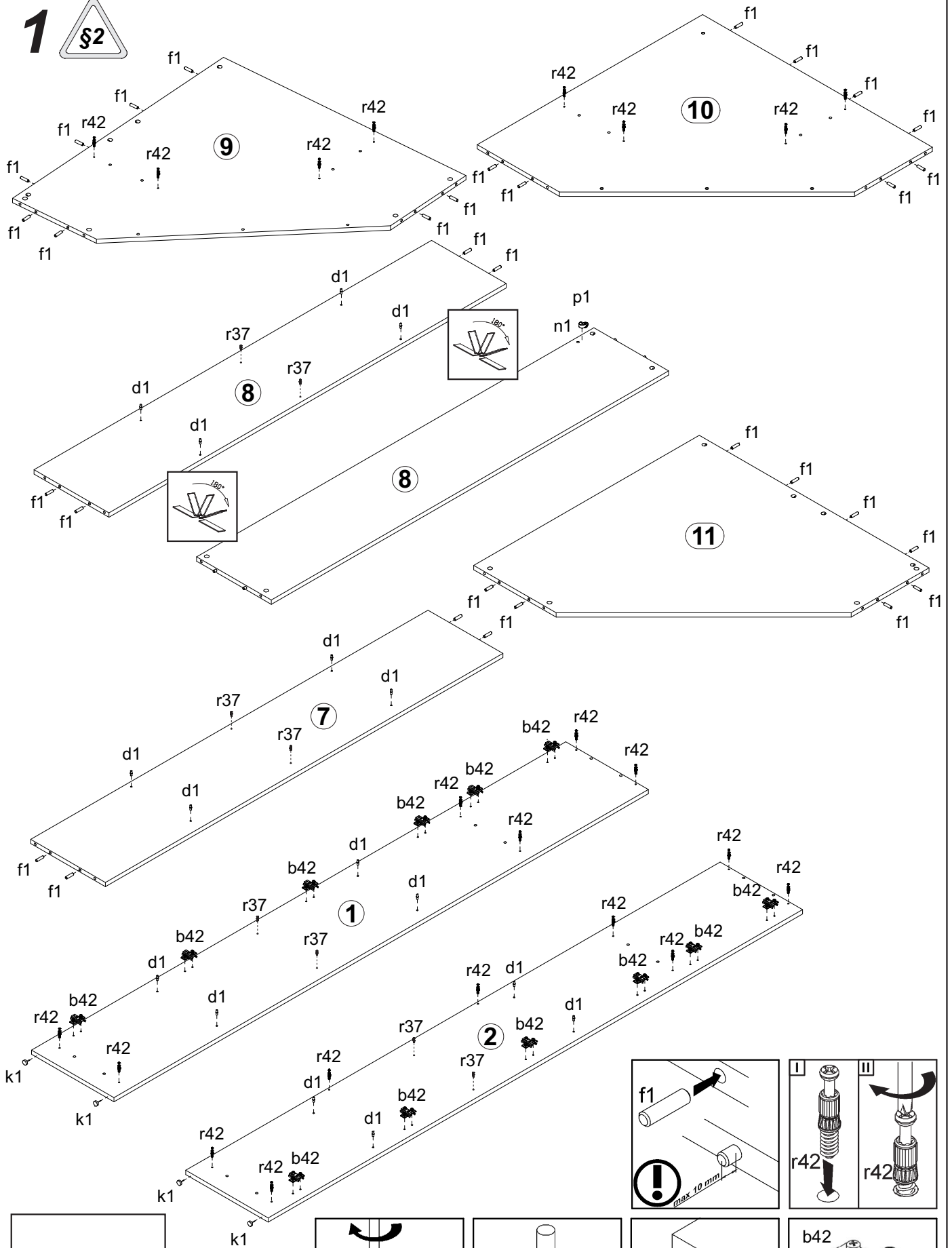
Шафа кутова / Шкаф угловой **SZFN2D**

A	B	C	D	A	B	C	D		
1	S321-127	2300	355	1/4	11	S321-330	990	970,5	3/4
2	S321-128	2300	355	1/4	12	S321-331	320	317	3/4
3	S321-425	2300	495	1/4	13	S321-423	920	60	3/4
4	S321-426	2300	495	1/4	14	S321-424	914	60	3/4
5	S321-915	2235	498	1/4	15	S321-512	80	65	3/4
6	LH-2207	2207		1/4	16	DR-630	630		3/4
7	S321-129	1710	332	2/4	17	S321-004	446	530	4/4
8	S321-130	1710	332	2/4	18	S321-005	446	1682	4/4
9	S321-328	990	970,5	3/4	19	S321-013	446	1682	4/4
10	S321-329	990	970,5	3/4	20	S321-334	320	317	3/4

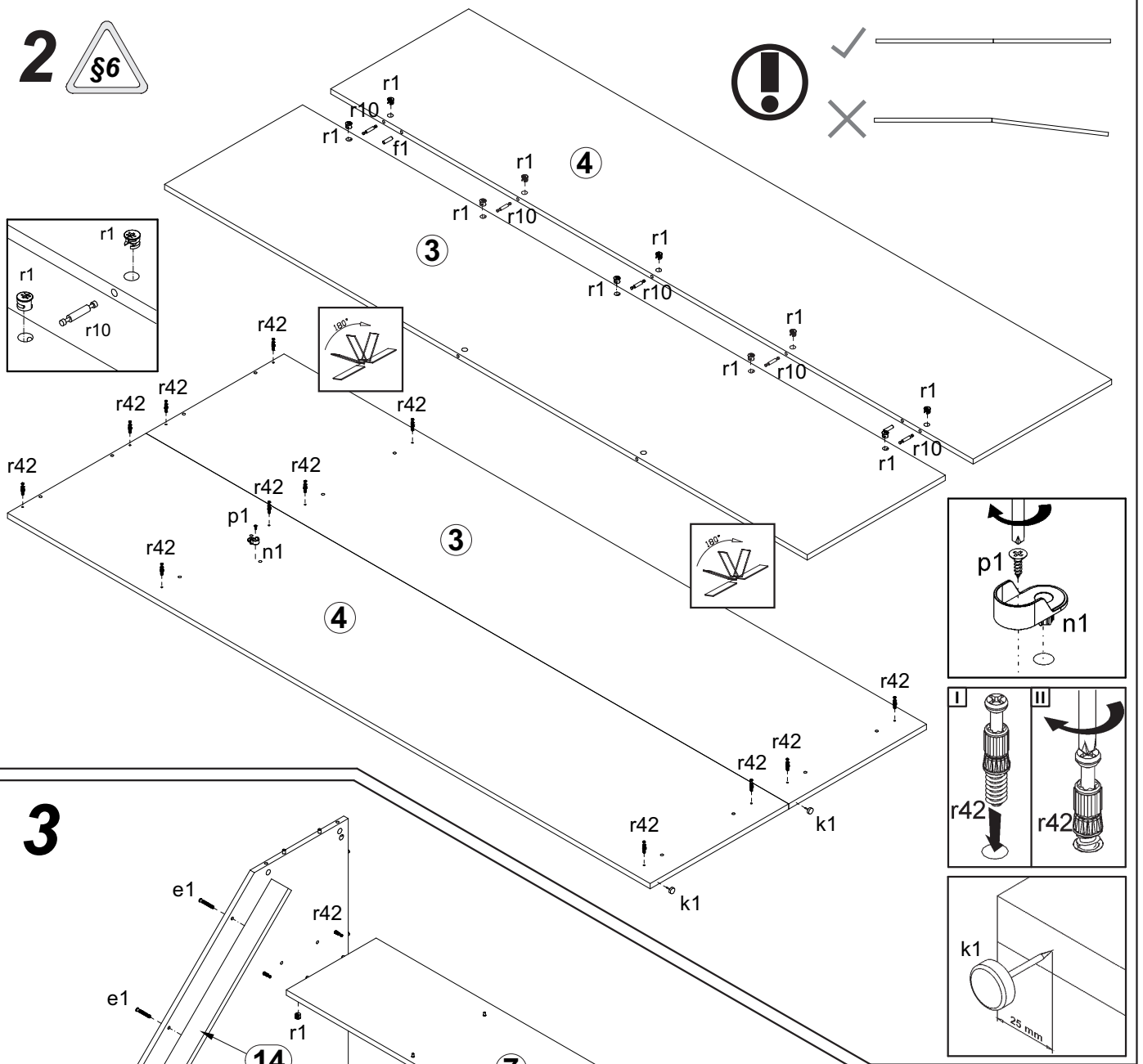
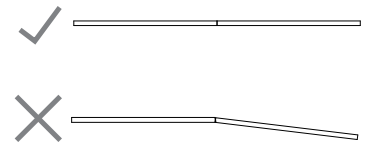


12x 45° a94	12x D5 b42	16x φ5x17 mm d1	7x φ7x50 mm e1	34x φ8x30 mm f1	7x k1	100x l1	2x n1
1x n26/1	6x silikon o21	2x φ3,5x13 mm p1	1x φ3,5x16 mm p38	24x φ3,5x15 mm p51	44x φ15x12mm #16 r1	5x r10	8x φ20x12mm #16 r36
8x 6,7/7,8 r37	34x 20/11 r42	7x s1	16x φ16 s2	2x s62	1x z1		

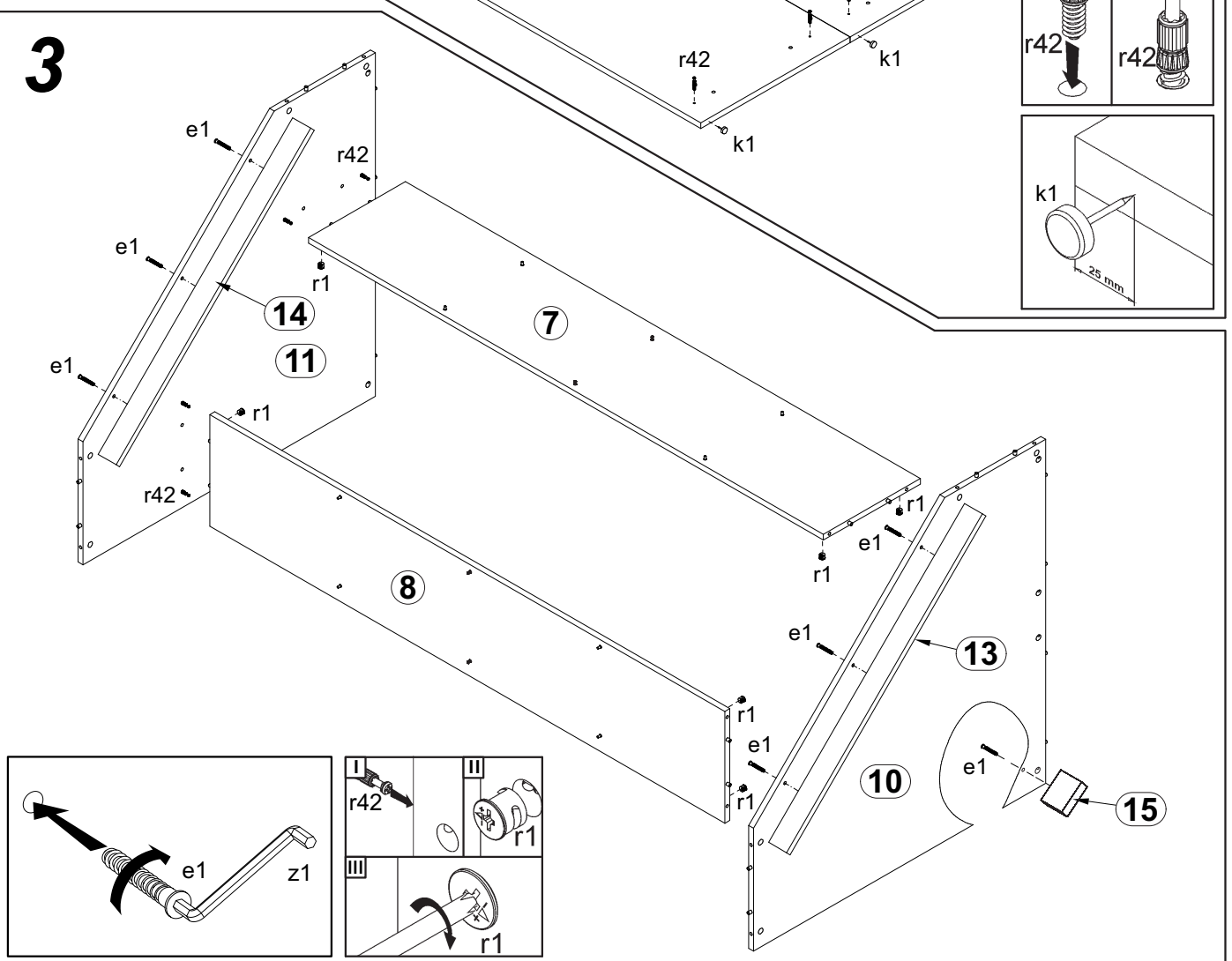
1 



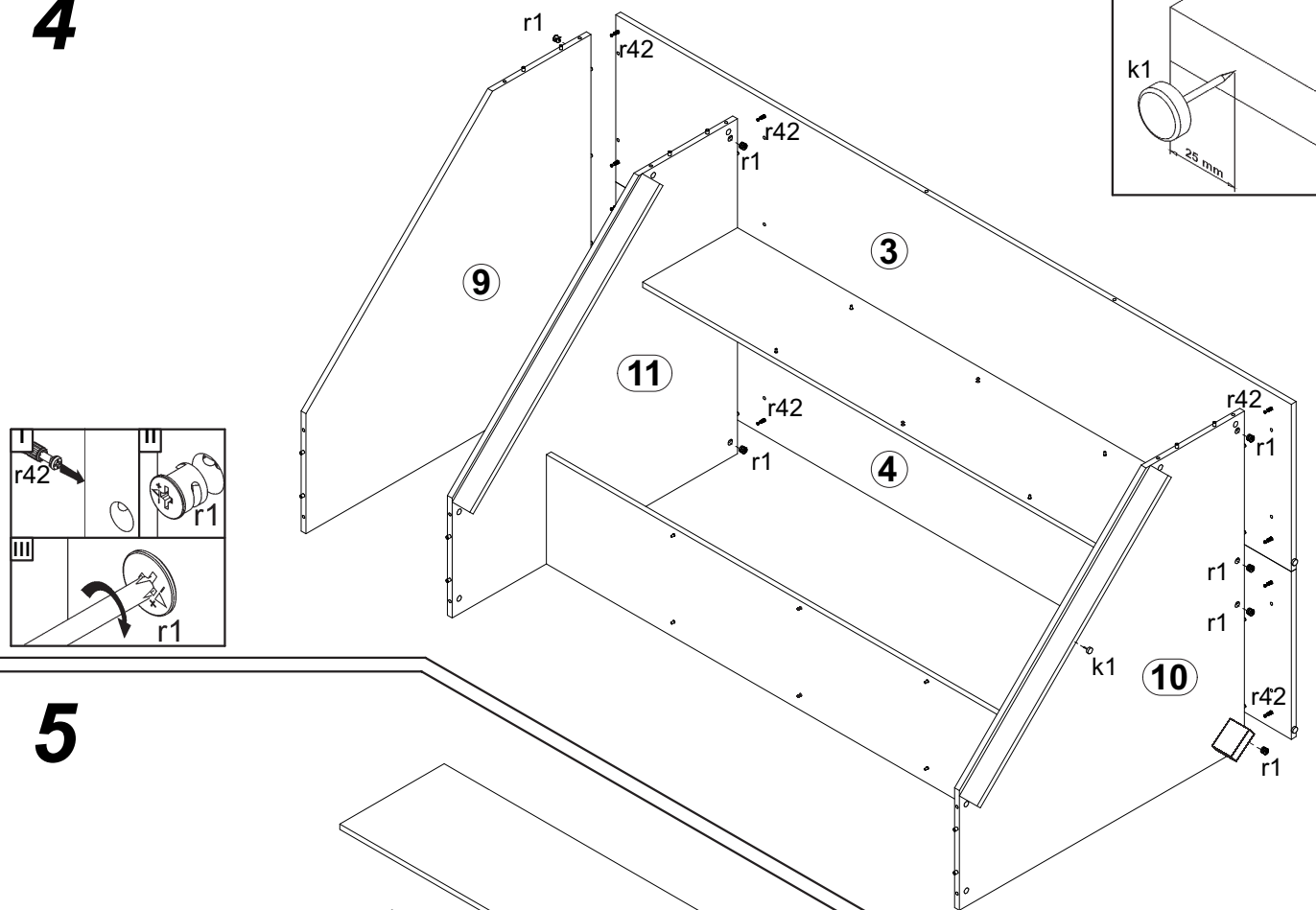
2



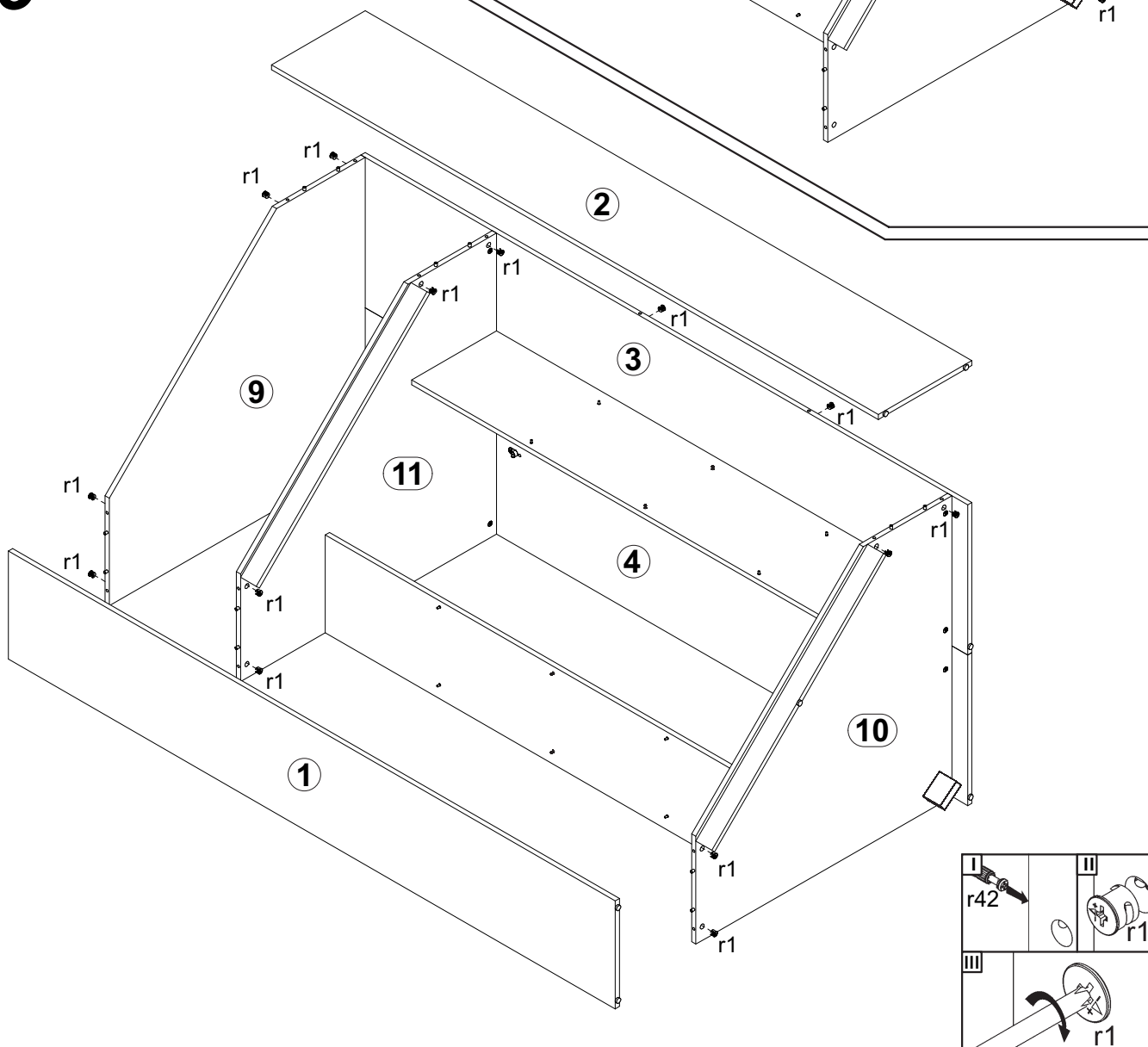
3



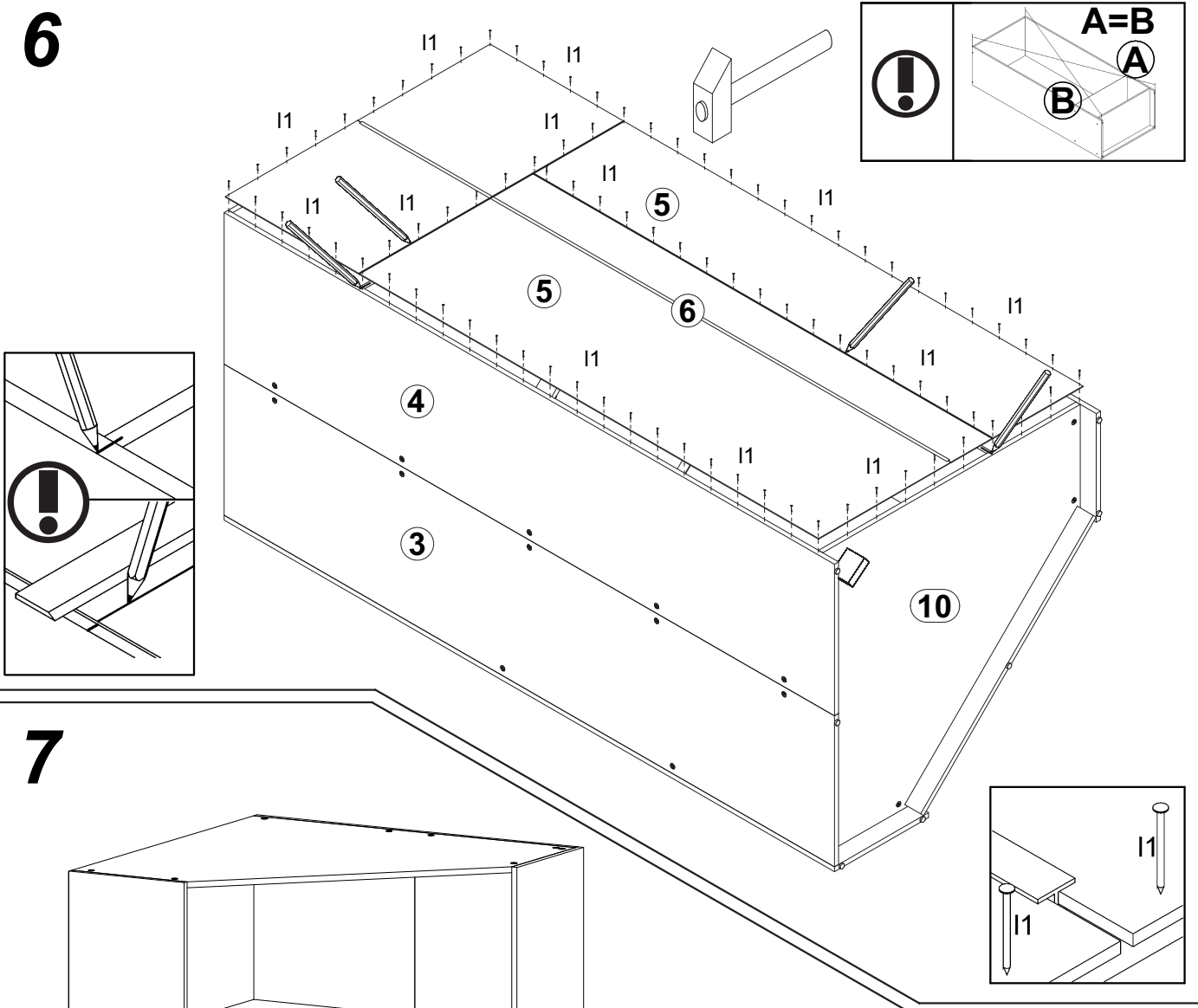
4



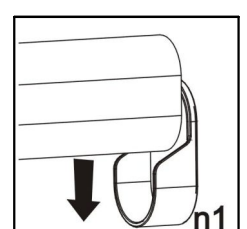
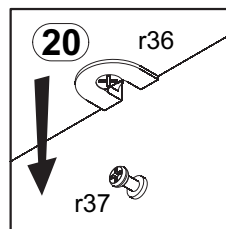
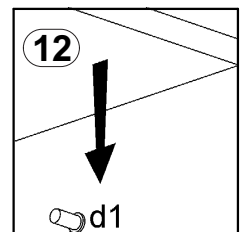
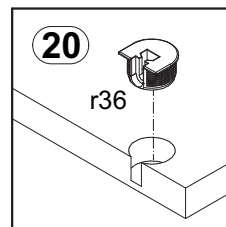
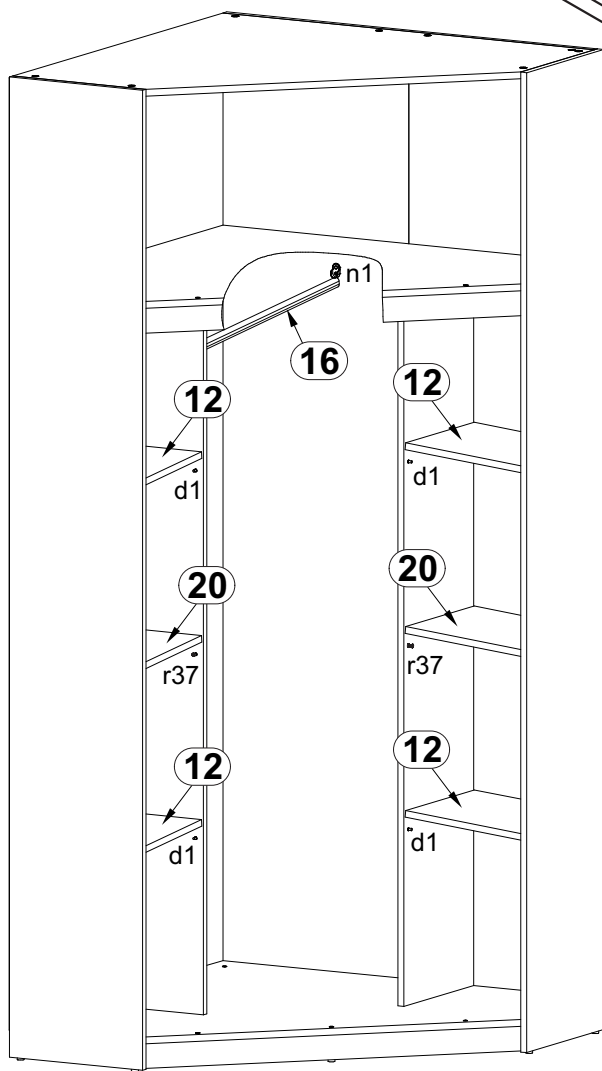
5



6



7



8

